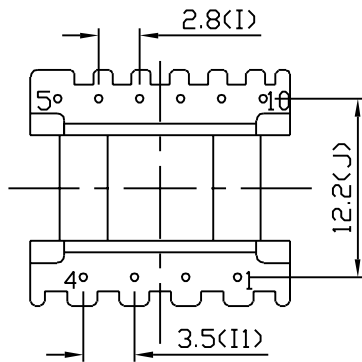
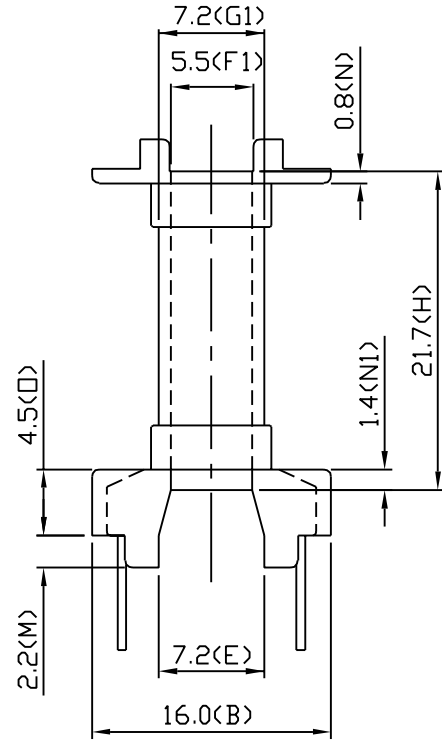
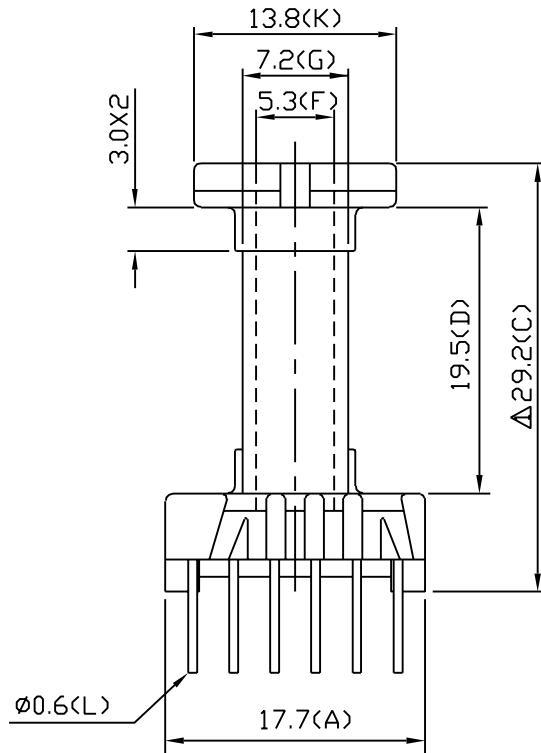
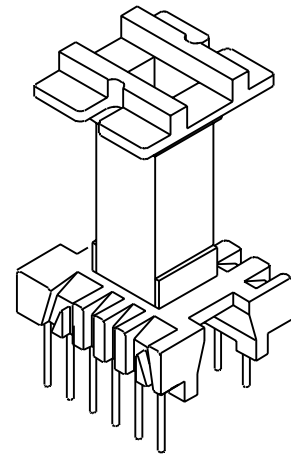
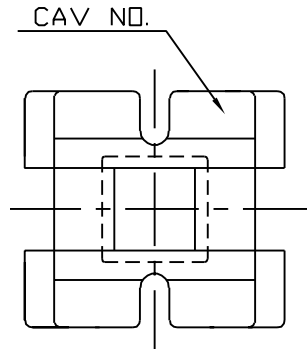




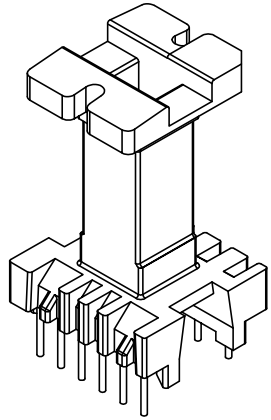
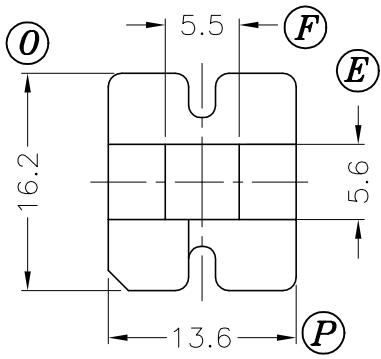
EEL-19



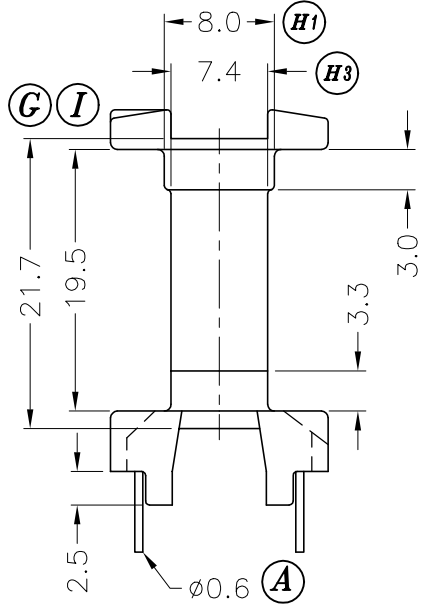
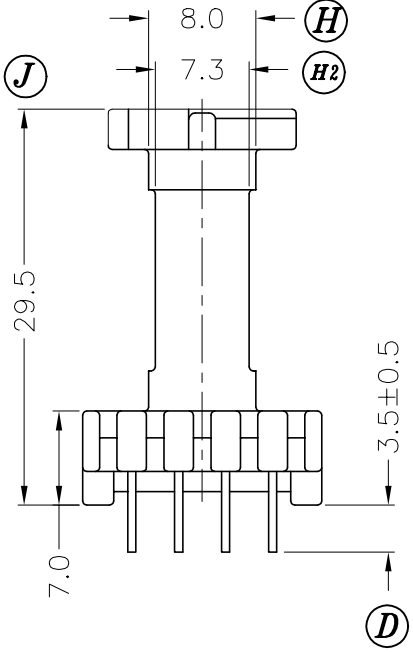
外觀更正



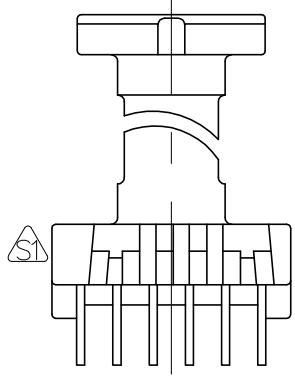
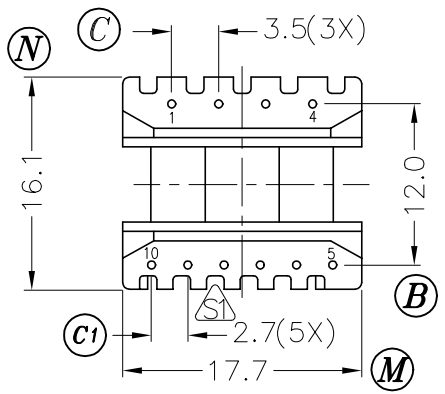
1999.11.02		外觀更正		TOLERANCE: WHOLE±0.5 PIN PITCH±0.1 ROW PITCH±0.5	DECIMAL X±0.3 .XX±0.2	CHECK	陳國昌
1997.11.20	△	29.5	29.2			DRAWING	陳宣德
修改日期	修改部份	修改前尺寸	修改後尺寸	SHEET OF	REV.	A	
毅華企業股份有限公司 YIH-HWA ENTERPRISES CO.,LTD 中和市連城路 222巷4弄2號2樓				TEL	(02)2248-3366	MODEL	YW-379-02B
				FAX	(02)2240-6919	MATERIAL	PHENOLIC
				UNIT	m/m	SCALE	2 / 1
						DATE	1999.11.02



DRAWING NO.	MATERIAL:	ORIGIN:
P-1915-3	PHENOLIC T375J	DG



DRAWING NO.	MATERIAL:	ORIGIN:
P-1915-2	PHENOLIC T375J	DG



DRAWING NO.	MATERIAL:	ORIGIN:
P-1915-1	PHENOLIC T375J	DG

REV.	REVISIONS	REC.	REV.	REVISIONS	REC.
1	(I2): 3.2->3.3		4	: SHAPE MODIFIED	
2	(H2): 7.1->7.3 (H3): 7.2->7.4		5	CANCEL (K),(L),(I1),(I2).	
3	(P): 13.9->13.6				

DRAWN & DRAFTED BY	RONG HONGJUN	TOLERANCES		ANGLE:	TITLE:		
		0<L≤4 ±0.1	pin pitch	±1°	T-H BOBBIN EEL-19		
CHECKED & APPROVED BY	ZHONG YU	4<L≤16 ±0.2		UNIT:	BOBBIN MATERIAL:	UL REC.	
		16<L≤63 ±0.3	±0.2	MM	PHENOLIC T375J	UL 94V-0	
PIN SHINE INDUSTRIAL CO.,LTD. TEL:886-2-22990545 FAX:886-2-22990546		ORIGIN:	DG	PIN MATERIAL:	CP WIRE	PIN TENSION LOAD:	
						1.5KG MIN.	
				DATE:	DRAWING NO.	REV.	
				APR.01 '2003	P-1915	5	