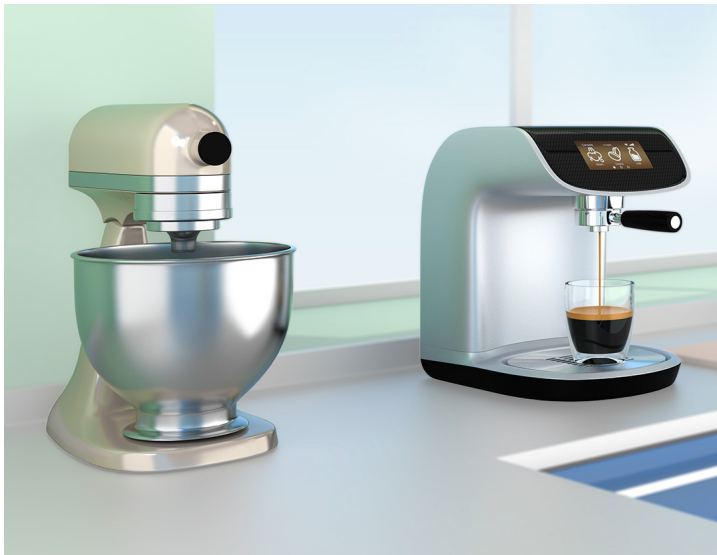


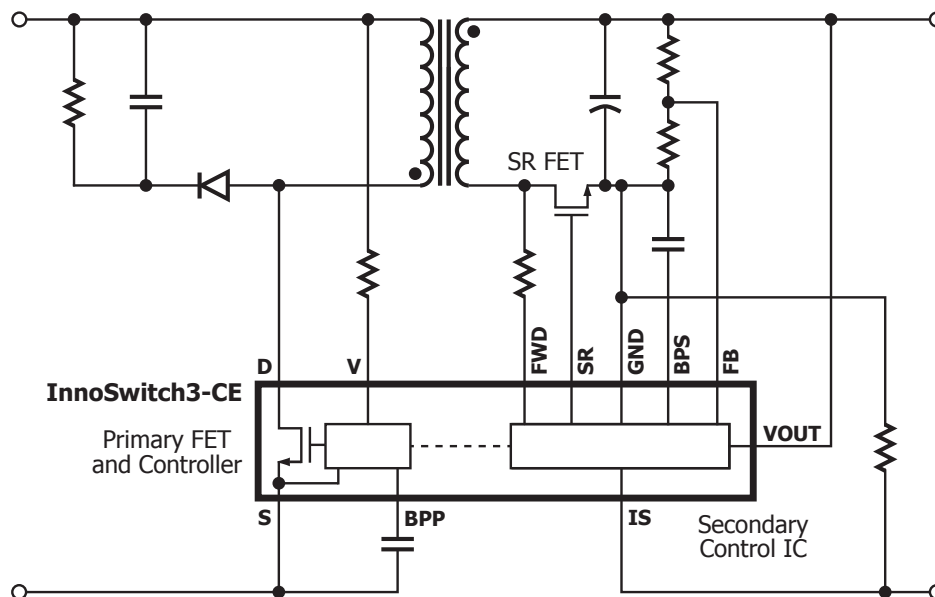
InnoSwitch™3-CE



Key Features

- Up to 94% efficiency across line and load conditions
- Accurate CC/CV regulation
- Delivers up to 65 W without heatsinks
- Integrated FluxLink™ feedback

Off-Line CV/CC QR Flyback Switcher IC with Integrated 650 V MOSFET



PI-8179-090717

Applications

- High efficiency flyback designs up to 65 W
- High current chargers and adapters for mobile devices
- Consumer electronics (set-top boxes, networking, gaming, LED)

Output Power

Part Number	230 VAC ± 15%		85-265 VAC	
	Adapter (W)	Open Frame (W)	Adapter (W)	Open Frame (W)
INN3162C	10	12	10	10
INN3163C	12	15	12	12
INN3164C	20	25	15	20
INN3165C	25	30	22	25
INN3166C	35	40	27	36
INN3167C	45	50	40	45
INN3168C	55	65	50	55



InSOP-24D Package

Design Support

- Data Sheet InnoSwitch3-CE data sheet (www.power.com/innoswitch3-ce-data-sheet)
- Application Note InnoSwitch3 family design guide (AN-72) (www.power.com/an-72)
- Reference Design 40 W dual output power supply (DER-571) (www.power.com/der-571)