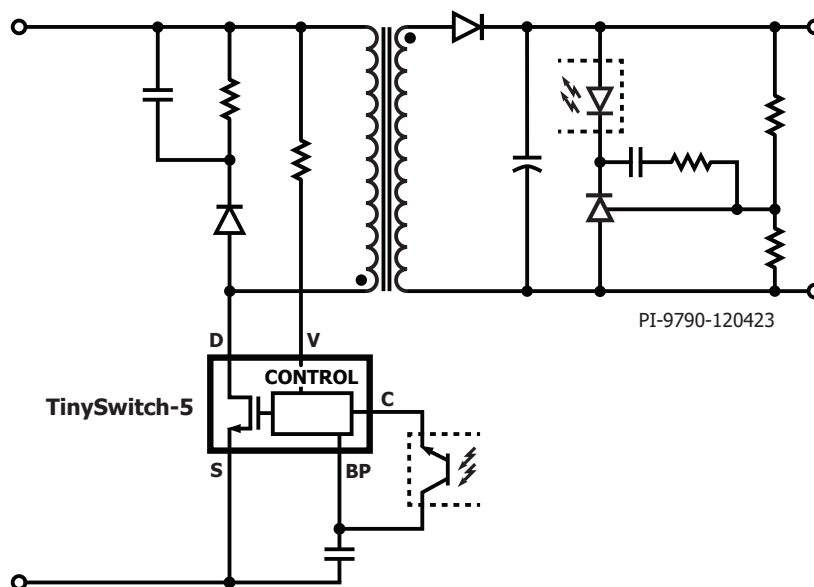


TinySwitch™ -5

- 725 V MOSFET
- Wide power range 10-175 W
- Less than 30 mW no-load power
- Up to 210 mW output power for 300 mW input
- Adjustable switching frequency
- Line UV/OV protection
- Frequency jitter reduces EMI

Integrated Off-Line Switcher with EcoSmart™ Technology



Applications

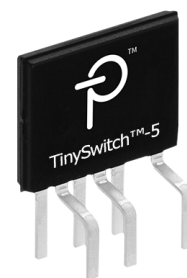
- Auxiliary, standby and bias power supplies for appliances and consumer products
- Utility meter, smart grid and industrial power supplies
- Tool chargers

Output Power

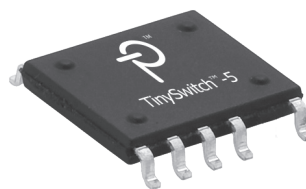
	400 VDC	230 VAC ± 15%	85-265 VAC
Product	Peak or Open Frame (W)	Peak or Open Frame (W)	Peak or Open Frame (W)
PCB Copper Area			
TNY5071K	25	22	15
TNY5071V	25	22	15
TNY5072K	35	32	20
TNY5072V	35	32	20
TNY5073K	50	45	30
TNY5073V	50	45	25
TNY5074K	60	55	35
TNY5074V	60	55	30
TNY5075K	75	70	45
TNY5075V	75	70	40
Metal Heat Sink			
TNY5075E	120	105	70
TNY5076E	170	155	150
TNY5077E	190	175	120



eDIP™-12B Package



eSIP™-7C Package



eSOP™-12B Package

Design Support

Data Sheet	TinySwitch-5 data sheet (www.power.com/tinyswitch-5-data-sheet)
Application Note	TinySwitch-5 family design guide (AN-112) (www.power.com/an-112)
Design Example	120 W single-output power supply (DER-1027) (www.power.com/der-1027)
Design Example	36 W single-output power supply (DER-1040) (www.power.com/der-1040)
Design Example	26.5 W dual-output power supply (DER-1016) (www.power.com/der-1016)
Design Example	12 W single-output power supply (DER-1017) (www.power.com/der-1017)