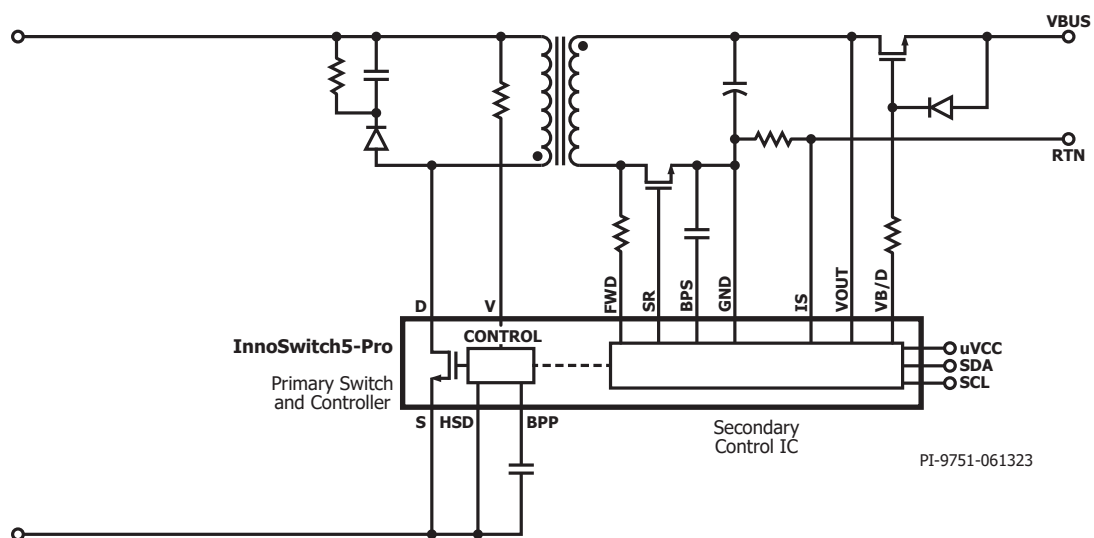


InnoSwitch[™] 5-Pro

- Zero voltage switching (ZVS) using advanced SR FET control – no active clamp required
- Supports very wide output voltage range 3 V to 36 V
- Lossless input line voltage sensing on the secondary-side for adaptive DCM/CCM/ZVS control
- Robust 750 V and 900 V PowiGaN[™] primary switch options
- Integrated FluxLink[™], HIPOT-isolated, feedback link
- Digitally controlled via I²C interface
- >95% efficiency

Digitally Controllable Off-Line CV/CC ZVS Flyback Switcher IC with 750 V and 900 V PowiGaN Switch



Applications

- High density power adapters
- Multiprotocol adapters including USB PD + PPS, 28 V USB PD EPR, QC, VOOC, VFC, SCP, UFCS
- Direct-charge mobile device chargers
- Multi-chemistry tool and general purpose battery chargers
- Adjustable CV and CC LED ballast

Output Power¹

Part Number ^{4,5}	750 V PowiGaN Switch			
	230 VAC ±15%		85 – 265 VAC	
	Adapter ² (W)	Open Frame ³ (W)	Adapter (W)	Open Frame (W)
INN5375F	90	100	75	90
INN5376F	115	125	80	115
INN5377F	135	145	90	135
	900 V PowiGaN Switch			
INN5396F	115	125	80	115
	750 V PowiGaN Switch			
	230 VAC ±15%		385 VDC (PFC Input)	
	Adapter (W)	Open Frame (W)	Adapter (W)	Open Frame (W)
INN5475F	105	130	160	180
INN5476F	140	160	180	200
INN5477F	170	190	200	220
	900 V PowiGaN Switch			
INN5496F	140	160	180	200



InSOP™-T28D Package

- 1 Maximum output power is dependent on the design, with maximum IC package temperature kept <125 °C
 2 Minimum continuous power in a typical non-ventilated enclosed typical size adapter measured at 40 °C ambient.
 3 Minimum peak power capability.
 4 F Package: InSOP-T28D.
 5 INN53xx series optimized for universal AC input designs.
 INN54xx series optimized for peak power designs with PFC input.

Design Support

- Data Sheet** InnoSwitch5-Pro data sheet (www.power.com/innoswitch5-pro-data-sheet)
- Design Example** 140 W / 28 V USB PD 3.1 extended power range (EPR) power supply with ZVS flyback (RDR-1002) (www.power.com/rdr-1002)
- Design Example** 180 W / 36 V USB PD 3.1 EPR power supply with ZVS flyback (DER-1046) (www.power.com/der-1046)