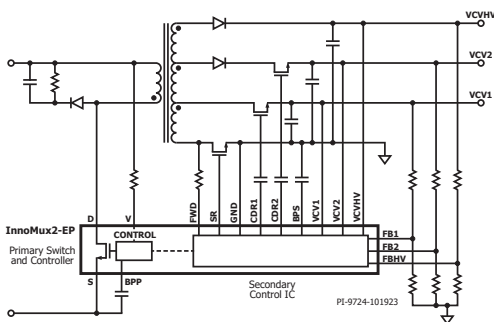


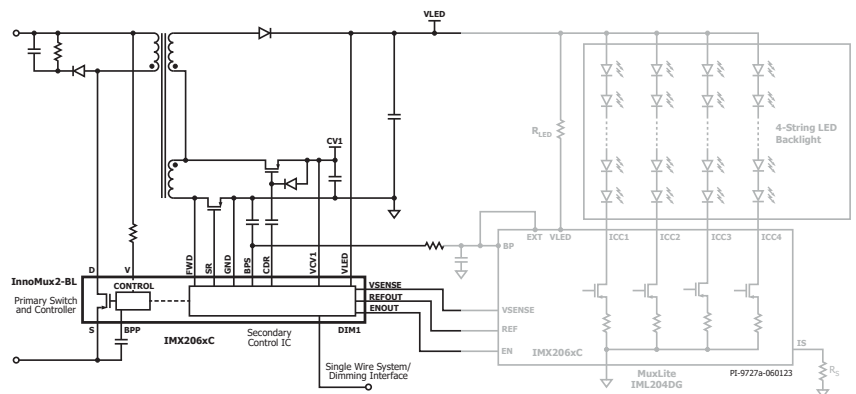
# InnoMux™ -2

- Up to 3 independently regulated outputs
  - Constant voltage and constant current outputs
  - Less than  $\pm 1\%$  combined load/line/cross regulation
- Single-stage power conversion for high efficiency
- 650 V, 725 V, 750 V or 1700 V PowiGaN™ switch
- Eliminates post-regulators
  - 10% higher efficiency
  - Reduced part count

## Off-Line Zero Voltage Switching (ZVS) Flyback Switcher IC for Multi-Output Applications



**InnoMux2-EP: Typical Application with Three Constant Voltages**



**InnoMux2-BL: Typical Application with One Constant Voltage and Four Dimmable Constant Current Outputs**

## Applications

- Monitors
- Televisions
- Industrial
- LED Lighting
- Appliances
- Home Building Automation

## Output Power

InnoMux2-EP		
Part Numbers	230 VAC ±15%	85-265 VAC
	1 CV & 1 CC Outputs	
IMX2267C	40 W	36 W
IMX2268C	55 W	50 W
IMX2278F	77 W	60 W
IMX2279F	88 W	70 W
IMX2270F	100 W	80 W
2 & 3 CV Outputs		
IMX2174F	20 W	15 W
IMX2175F	25 W	22 W
IMX2176F	35 W	27 W
IMX2177F	40 W	36 W
IMX2378F	70 W	55 W
IMX2379F	80 W	65 W
IMX2370F	90 W	75 W
	85-670 VAC Peak or Open Frame	200-1000 VAC Peak or Open Frame
IMX2353F	65 W	70 W

InnoMux2-BL		
Part Number	230 VAC ±15%	85-265 VAC
IMX2065C	25 W	22 W
IMX2066C	35 W	27 W



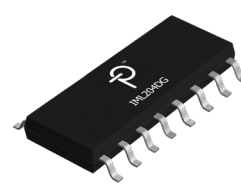
InSOP™-T28G Package



InSOP™-T28D Package



InSOP™-24D Package



SO-16 Package

CV = Constant Voltage Output CC = Constant Current Output

## Design Support

<b>Data Sheet</b>	InnoMux2-EP data sheet ( <a href="http://www.power.com/innomux2-ep-data-sheet">www.power.com/innomux2-ep-data-sheet</a> )
<b>Data Sheet</b>	InnoMux2-BL data sheet ( <a href="http://www.power.com/innomux2-bl-data-sheet">www.power.com/innomux2-bl-data-sheet</a> )
<b>Data Sheet</b>	IML204DG data sheet ( <a href="http://www.power.com/iml204dg-data-sheet">www.power.com/iml204dg-data-sheet</a> )
<b>Reference Design</b>	60 W dual regulated output flyback for industrial and appliances using InnoMux2-EP ( <a href="http://www.power.com/rdr-1053">www.power.com/rdr-1053</a> )
<b>Reference Design</b>	50 W dual regulated output flyback for TV, industrial, and appliances using InnoMux2-EP ( <a href="http://www.power.com/RDR-1043">www.power.com/RDR-1043</a> )
<b>Reference Design</b>	60 W flyback converter with two independently regulated outputs using 1700 V InnoMux2-EP with PowiGaN ( <a href="http://www.power.com/RDR-1053">www.power.com/RDR-1053</a> )
<b>Design Example</b>	52 W constant voltage and constant current output flyback for TV and HBA using InnoMux2-EP ( <a href="http://www.power.com/DER-714">www.power.com/DER-714</a> )
<b>Design Example</b>	23 W flyback with 1 constant voltage and 4 constant current outputs for computer monitors and appliances using InnoMux2-BL + IML204DG ( <a href="http://www.power.com/DER-715">www.power.com/DER-715</a> )
<b>Design Example</b>	62 W multi-output regulated flyback for TV, industrial, and appliances using InnoMux2-EP ( <a href="http://www.power.com/DER-716">www.power.com/DER-716</a> )