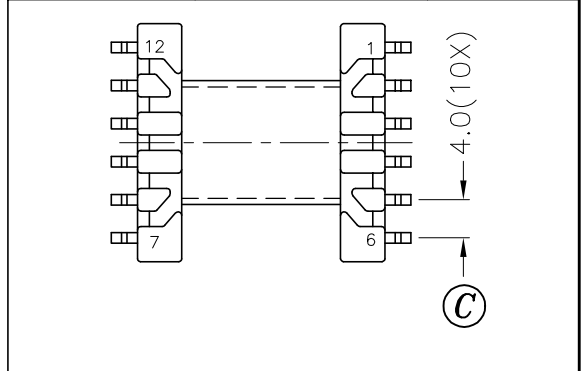


DRAWING NO.	MATERIAL:	ORIGIN:
S-2501-1	PM9630	SZ



B-060.101P(B-060)

REV.	REVISIONS	REC.	REV.	REVISIONS	REC.
1	TERMINAL MODIFIED TO BE	1.0X0.5			
2	TERMINAL MODIFIED TO BE	0.8X0.4			
3	TERMINAL MODIFIED TO BE	1.1X0.4			

DRAWN & DRAFTED BY WANG CHENG	TOLERANCES		ANGLE:	TITLE:	
	0<L≤4 ±0.1	COPLANARITY 0.1 MAX	±1°	SMD BOBBIN EFD-25	
CHECKED & APPROVED BY JOHN RONG	4<L≤16 ±0.2		UNIT:	BOBBIN MATERIAL:	UL REC.
	16<L≤63 ±0.3	MM	PHENOLIC PM9630	UL 94V-0	
PIN SHINE INDUSTRIAL CO., LTD. TEL:886-2-22990545 FAX:886-2-22990546		ORIGIN:	PIN MATERIAL:	PIN TENSION LOAD:	
		DG SZ	PHOSPHOR BRONZE	1.5KG MIN.	
		DATE:	DRAWING NO.	REV.	
		JUN. 07 '2001	S-2501	3	